

# INNOVATION... IT'S THE LITTLE THINGS



**HINGED CLEANOUT DOOR**



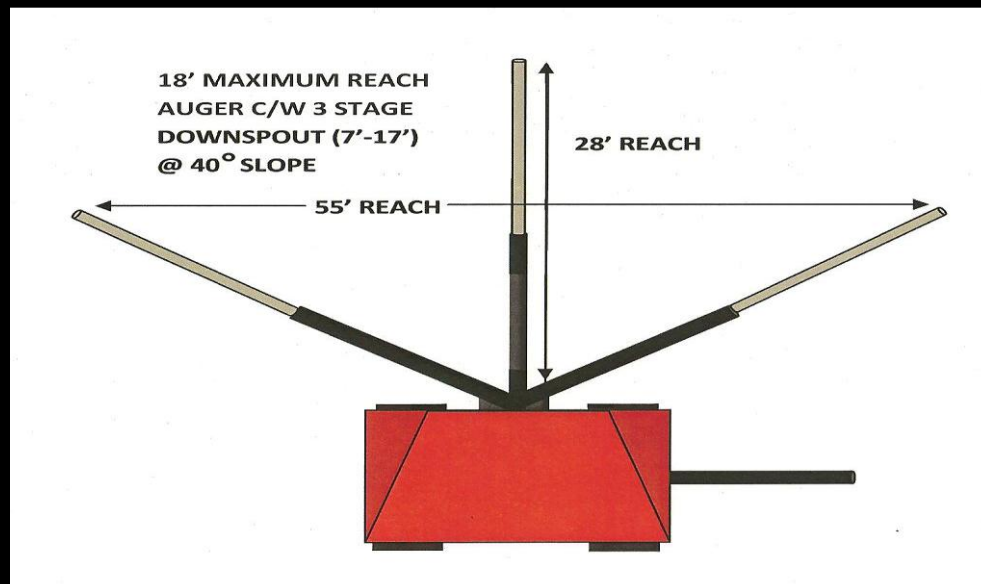
**5" CUPPED PLASTIC FLIGHTING & HANGER BEARING**



**ELECTRIC VALVE C/W REMOTE SHUT-OFF**



**17' 3-STAGE TELESCOPING DOWNSPOUT**



**Market Farm Equipment Ltd. Dashwood, Ontario, Canada**

**Tel # 519-238-2301**

**Fax# 519-238-6044**

**Web-Site: [www.marketfarmequipment.com](http://www.marketfarmequipment.com)**

**E-mail: [mfeltd@execulink.com](mailto:mfeltd@execulink.com)**